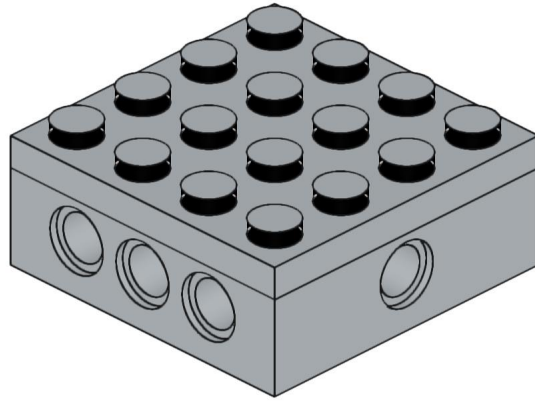
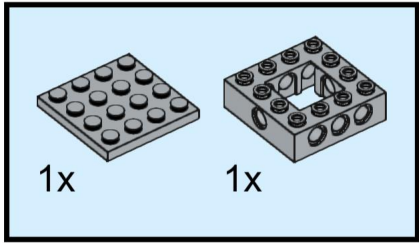
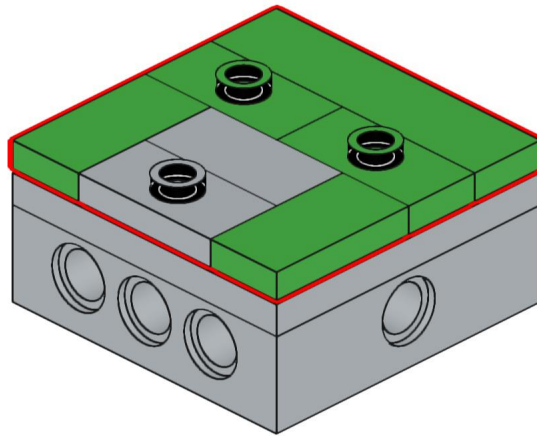
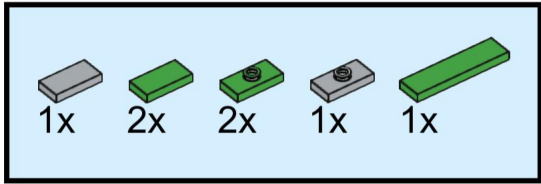


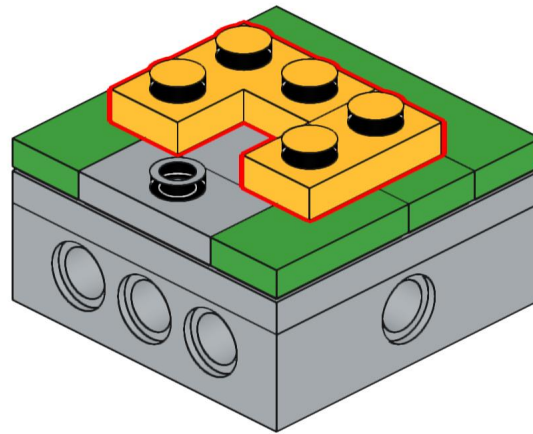
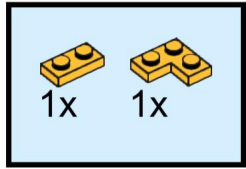
1



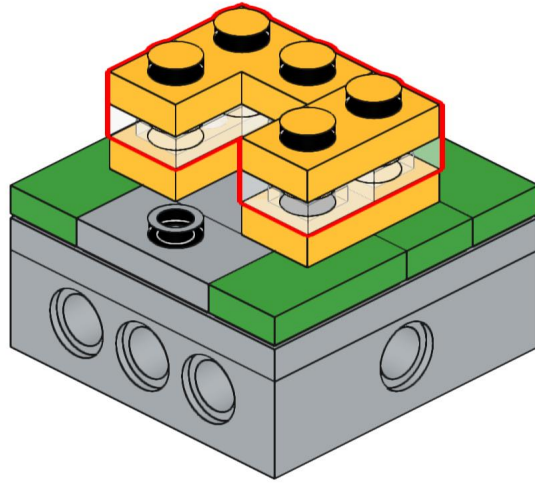
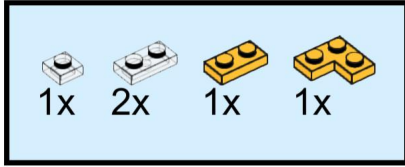
# 2



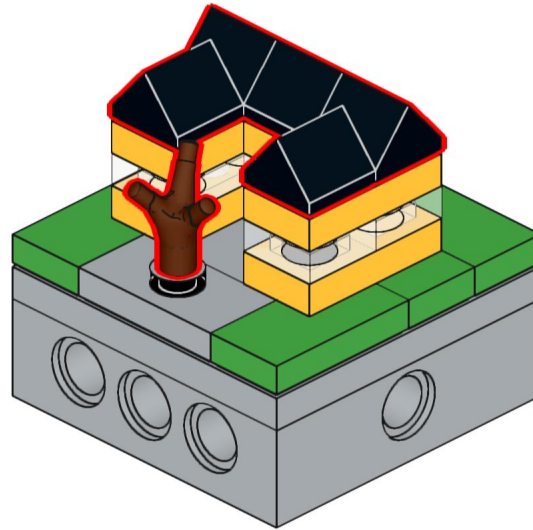
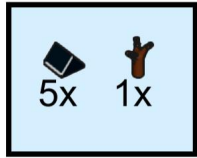
3



4




5



  
5x  
35464  
Black

  
2x  
3023  
Bright Light Orange

  
1x  
3069  
Light Bluish Gray

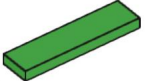
  
2x  
2420  
Bright Light Orange

  
1x  
15573  
Light Bluish Gray

  
2x  
15573  
Bright Green

  
1x  
3031  
Light Bluish Gray

  
2x  
3069  
Bright Green

  
1x  
2431  
Bright Green

  
1x  
32324  
Light Bluish Gray

  
1x  
3024  
Trans-Clear

  
1x  
68211  
Reddish Brown

  
2x  
3023  
Trans-Clear